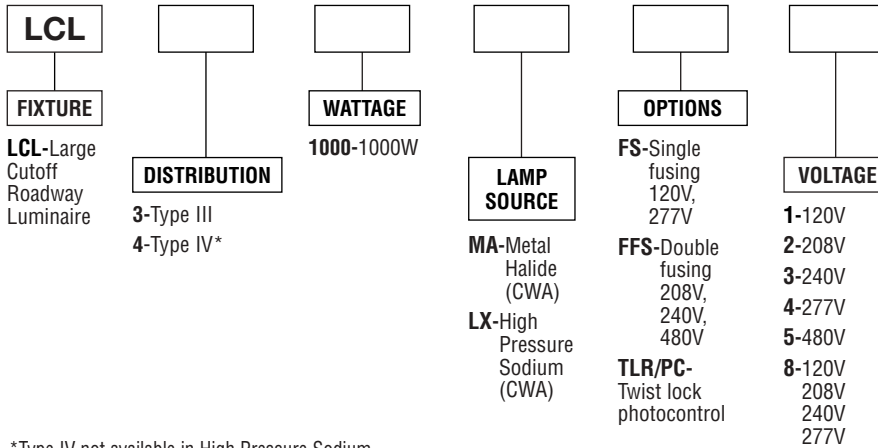


LCL Series Large Cutoff Roadway Luminaire



ORDERING INFORMATION

Catalog Number: Example: LCL41000MAFS-1



*Type IV not available in High Pressure Sodium.

PRODUCT SPECIFICATIONS

- LCL Cutoff Luminaire is ideal for any outdoor application where tight light control is needed to prevent glare and light trespass. Perfect for roadways and parking lots.
- One piece die-cast aluminum housing is finished in Duraplex II bronze polyester.
- Lens frame assembly is fully gasketed with silicone to prevent dust and bug entry.
- Heat and shock resistant tempered glass lens.
- IES Type III and forward throw with precision formed segmented reflector.
- Tool-less entry for relamping. Lens frame opens by releasing a stainless steel latch.
- All internal electrical components are installed in fixture arm.

MOUNTING ACCESSORIES

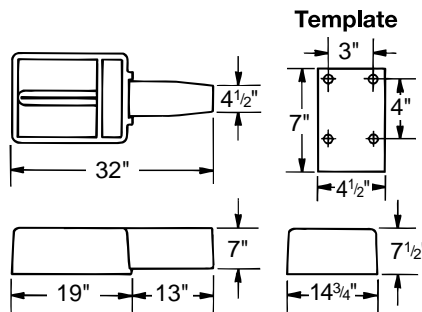
- LCLRPA4**-LCL 4" Round Pole Adapter.
- LCLTA10S**-LCL Tenon Adapter (2 3/8 OD) drilled for one.
- LCLTA20S**-LCL Tenon Adapter (2 3/8 OD) drilled for two @ 180°.
- LCLTA30S**-LCL Tenon Adapter (2 3/8 OD) drilled for three.
- LCLTA40S**-LCL Tenon Adapter (2 3/8 OD) drilled for four.

- RL100**-LCL 5" SQ Wall Mounting Plate.
- RM2CA**-LCL Tenon Mount Cross Arm Bracket (2 3/8 OD) drilled for two facing the same direction.
- LCL552CONVEX**-Replacement Lens Kit.

See page 3-A for mounting accessories.

TECHNICAL INFORMATION

LCL fixtures use a clear mogul base lamp, not supplied with fixture. High Pressure Sodium units uses E25. Metal Halide Type III units use BT56, Forward Throw IV units use BT37, reduced outer jacket style lamp.



EPA = 1.73 sq. ft.

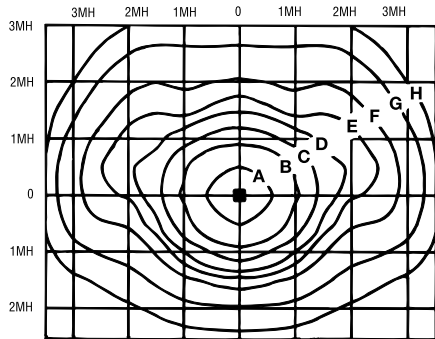


UL Wet Location Listed.
UL File Number: E86021

3-22

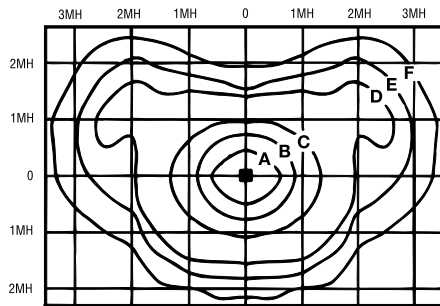
LCL Series Large Cutoff Roadway Luminaire

PHOTOMETRICS



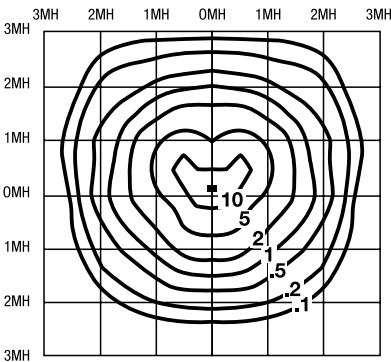
LCL31000LX
MOUNTING HEIGHT: 30', Tilt Angle 0°

HORIZONTAL FOOTCANDLES AT GROUND LEVEL								
MH	A	B	C	D	E	F	G	H
30	20.00	10.00	6.00	4.00	3.00	2.00	1.00	0.50
35	14.69	7.35	4.41	2.94	2.20	1.47	0.73	0.37
40	11.25	5.62	3.37	2.25	1.69	1.12	0.56	0.28
45	8.89	4.44	2.67	1.78	1.33	0.89	0.44	0.22
50	7.20	3.60	2.16	1.44	1.08	0.72	0.36	0.18



LCL31000MA
MOUNTING HEIGHT: 30', Tilt Angle 0°

HORIZONTAL FOOTCANDLES AT GROUND LEVEL						
MH	A	B	C	D	E	F
30	12.00	8.00	4.00	1.50	1.00	.50
35	8.82	5.88	2.94	1.10	0.73	0.37
40	6.75	4.50	2.25	0.84	0.56	0.28
45	5.33	3.56	1.78	0.67	0.44	0.22
50	4.32	2.88	1.44	0.54	0.36	0.18



LCL41000MA
Type IV
Forward Throw
MOUNTING HEIGHT: 40'

SUGGESTED SPECIFICATIONS

Fixture shall be outdoor area lighter IES sharp cut-off luminaire, for HID lamps. Housing and lens frame shall each be one piece corrosion resistant die-cast aluminum with rounded edges and corners. Luminaire shall be finished in Duraplex™ II dark bronze polyester powder. Fixture shall be furnished with an integral constant wattage high power factor ballast (type CWA), mounted in cast aluminum arm for heat dissipation.

Fixture shall have a low EPA of 1.90.

Lens frame shall be one-piece corrosion resistant die-cast aluminum with integral

hinges and radiused corners held by two captive stainless steel fasteners. Lens frame will provide constant equal pressure on the neoprene gasket sealing the optical chamber from rain, dust and insects. Frame will retain an optically clear, heat and impact resistant tempered glass lens, silicone sealed and held in place with retainer clips.

The mounting arm construction shall allow for securing luminaire on a 5" minimum square pole. All mounting hardware shall be hidden inside the arm. Mounting arrangements of one, two, three or four

way shall be possible.

Fabricated reflector shall be high purity aluminum with specular Alzak® finish.

Fixture shall be equipped with deluxe, glazed porcelain lamp socket with nickel plated, vibration-resistant "lamp-grip", screw shell and spring-loaded center contact. Sockets in high pressure sodium units shall be pulse-rated for 4 KV.

Distribution shall be Type III medium or Type IV forward throw as classified by IES. Photometric values shall be provided by an independent testing laboratory.

Specify Stonco Cat. No. (specify).