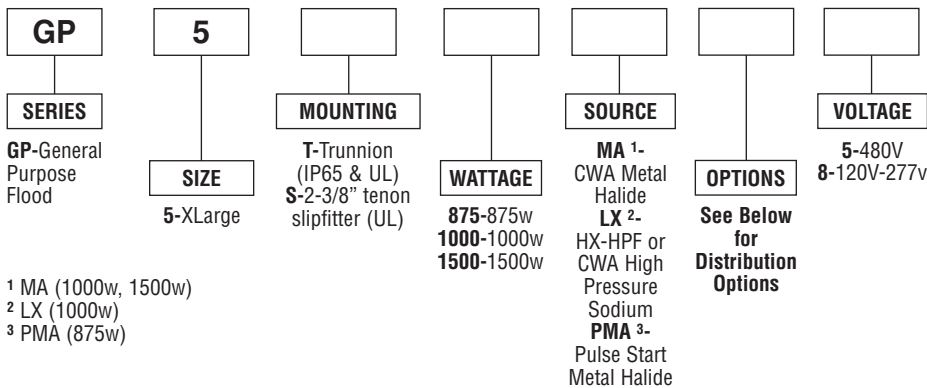


GP Flood Series Floodlighting GP5 (X-Large)



ORDERING INFORMATION

Catalog Number: Example: GP5S1000MAC-5



PRODUCT SPECIFICATIONS

- The GP Flood combines architectural design with on-site versatility and is designed for general purpose floodlighting applications
 - Applications include security, roadway, area, accent, facade, recreational fields, flagpole, and sign lighting
 - Mounting options for poles, walls and ground/flood are available
 - Reflectors include general purpose, spot optics and cut-off optics
 - Fixtures available with trunnion (IP65 and UL) and slipfitter (UL) mounting
 - IP65 Rated using trunnion mounting for extra protection against water, dust and debris
- (Consult factory for IP65 slipfitter option)
- Keyhole slots on trunnion facilitate hands-free mounting
 - One piece die cast aluminum door with clear tempered glass lens is hinged to the die cast aluminum housing for easy maintenance
 - Extruded silicone rubber gasket for long life
 - Integral heat sink ensures cool operation.
 - BT56 lamps for metal halide and E25 lamps for high pressure sodium
 - Lens screws are captive stainless steel fasteners
 - Duraplex II dark bronze polyester powder finish is standard and also available in a variety of designer colors
 - Unit can be aimed above or below horizontal
 - Available with wire guards and glare shields
 - Published 5-year limited warranty

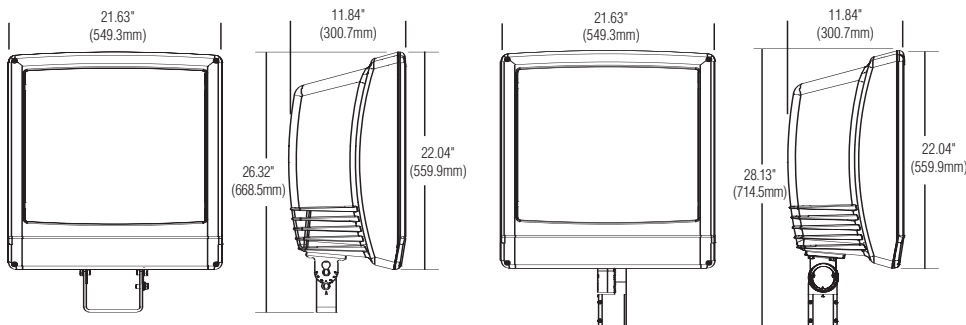
ACCESSORIES

GP5GS = Visor
GP5WG = Wire Guard

OPTIONS

- L** = Lamped
- BLANK** = General Purpose Optics
- C** = Cutoff Optics
- S** = Spot
- PCB** = Button Photo Control
- TLR** = Twist Lock Receptacle with Shorting Cap
- TRP** = Twist Lock Receptacle with Photo Control
- FS** = Fusing

TECHNICAL INFORMATION

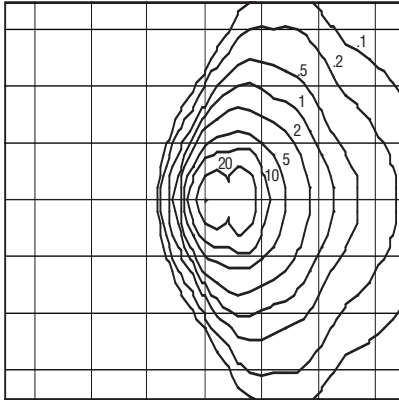


IP65 Rated
 UL Wet Location Listed
 Suitable for ground mounting

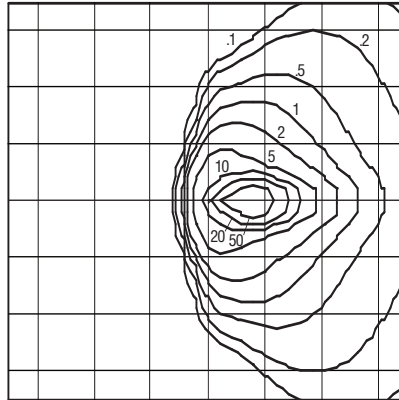
1-22

GP Flood Series Floodlighting GP5 X-Large

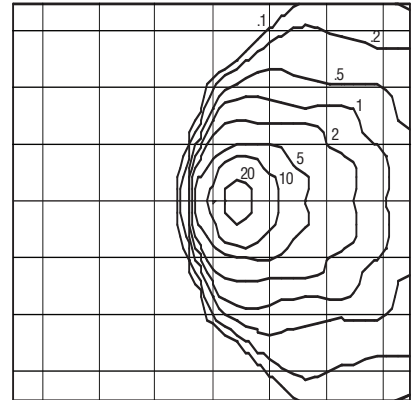
PHOTOMETRICS



GP5
Cutoff Optics
1000w Metal Halide
Mounting Height: 30 ft. - 45°
Lumens: 110000
NEMA: 7H x 6V



GP5
Spot Optics
1000w Metal Halide
Mounting Height: 30 ft. - 45°
Lumens: 110000
NEMA: 3H x 4V



GP5
General Purpose Optics
1000w Metal Halide
Mounting Height: 30 ft. - 45°
Lumens: 110000
NEMA: 6H x 6V

Conversion Data

Mounting Height	
25	1.44
30	1
35	0.73
40	0.56