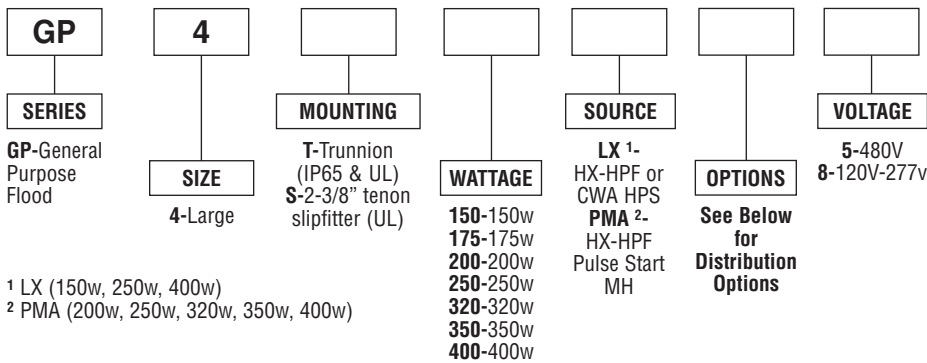


# GP Flood Series Floodlighting GP4 (Large)



## ORDERING INFORMATION

Catalog Number: Example: GP4S150PMAL-5



## PRODUCT SPECIFICATIONS

- The GP Flood combines architectural design with on-site versatility and is designed for general purpose floodlighting applications
  - Applications include security, roadway, area, accent, facade, recreational fields, flagpole, and sign lighting
  - Mounting options for poles, walls and ground/flood are available
  - Reflectors include general purpose, spot optics and cut-off optics
  - Fixtures available with trunnion (IP65 and UL) and slipfitter (UL) mounting
  - IP65 Rated using trunnion mounting for extra protection against water, dust and debris
- (Consult factory for IP65 slipfitter option)

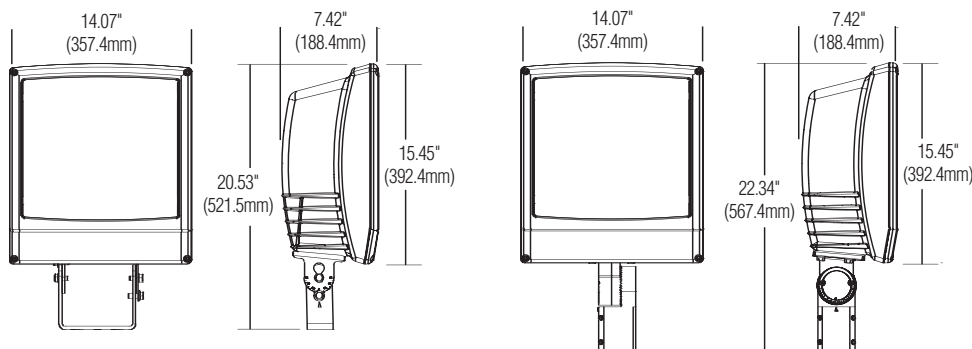
## ACCESSORIES

- GP4GS = Visor
- GP4WG = Wire Guard
- GP4VS = Vandal Shield

## OPTIONS

- L = Lamped
- BLANK = General Purpose Optics
- C = Cutoff Optics
- S = Spot
- PCB = Button Photo Control
- TLR = Twist Lock Receptacle with Shorting Cap
- TRP = Twist Lock Receptacle with Photo Control
- FS = Fusing

## TECHNICAL INFORMATION



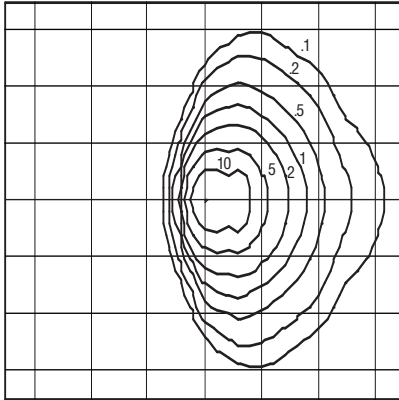
**IP65 Rated**  
 UL Wet Location Listed  
 Suitable for ground mounting

- Keyhole slots on trunnion facilitate hands-free mounting
- One piece die cast aluminum door with clear tempered glass lens is hinged to the die cast aluminum housing for easy maintenance
- Extruded silicone rubber gasket for long life
- Integral heat sink ensures cool operation.
- ED28 lamps for pulse start metal halide and ED18 lamps for high pressure sodium
- Lens screws are captive stainless steel fasteners
- Duraplex II dark bronze polyester powder finish is standard and also available in a variety of designer colors
- Unit can be aimed above or below horizontal
- Available with vandal shields, wire guards and glare shields
- Published 5-year limited warranty

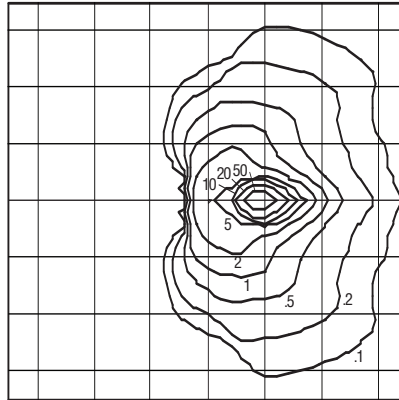
# 1-21

# GP Flood Series Floodlighting GP4 Large

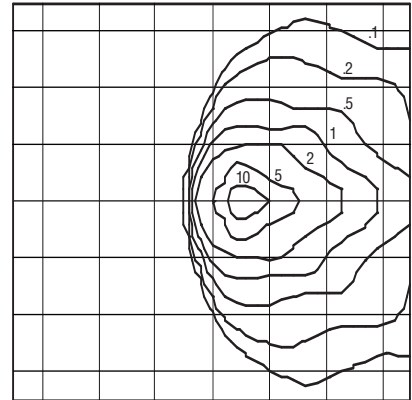
## PHOTOMETRICS



**GP4**  
Cutoff Optics  
400w Metal Halide  
Mounting Height: 25 ft. - 45°  
Lumens: 36000  
NEMA: 7H x 6V



**GP4**  
Spot Optics  
400w Metal Halide  
Mounting Height: 25 ft. - Tilt: 45°  
Lumens: 36000  
NEMA: 2H x 3V



**GP4**  
General Purpose Optics  
400w Metal Halide  
Mounting Height: 25 ft. - 45°  
Lumens: 36000  
NEMA: 6H x 6V

### Conversion Data

Mounting Height		Wattage (MH)	
20	1.56	250	0.69
25	1	400	1
30	0.69		