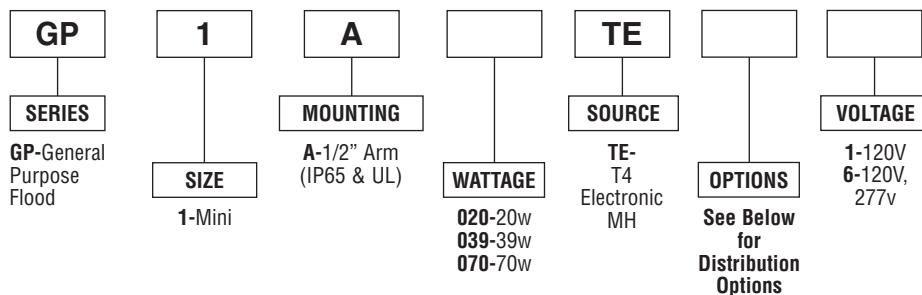


# GP Flood Series Floodlighting GP1 (Mini)

## ORDERING INFORMATION

Catalog Number: Example: GP1A070TEL1



## PRODUCT SPECIFICATIONS

- The GP Flood combines architectural design with on-site versatility and is designed for general purpose floodlighting applications
- Applications include security, area, accent, facade, recreational fields, flagpole, sign lighting and landscape
- Reflectors include general purpose, spot and asymmetric optics
- IP65 Rated for extra protection against water, dust and debris
- One piece die cast aluminum door with clear tempered glass lens is hinged to the die cast aluminum housing for easy maintenance
- Extruded silicone rubber gasket for long life
- Integral heat sink ensures cool operation
- Lens screws are captive stainless steel fasteners
- Duraplex II dark bronze polyester powder finish is standard and also available in a variety of designer colors
- 1/2" arm with serrated teeth lock arm mount unit into position
- Unit can be aimed above or below horizontal
- Available with vandal shields, wire guards and glare shields
- Published 5-year limited warranty

## ACCESSORIES

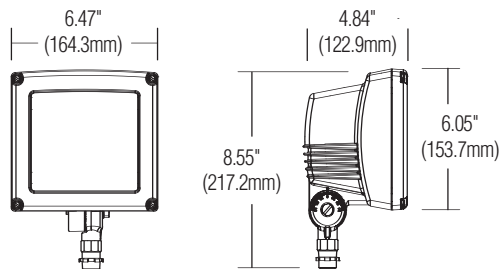
- GP1GS** = Visor
- GP1WG** = Wire Guard
- GP1VS** = Vandal Shield

**SLW10P**= Wall mount adapter to convert GP1 style fixtures. Complete with built-in splice box and knock-out for button photo control

## OPTIONS

- L** = Lamped
- BLANK** = General Purpose Optics
- A** = Asymmetric Optics
- S** = Spot

## TECHNICAL INFORMATION

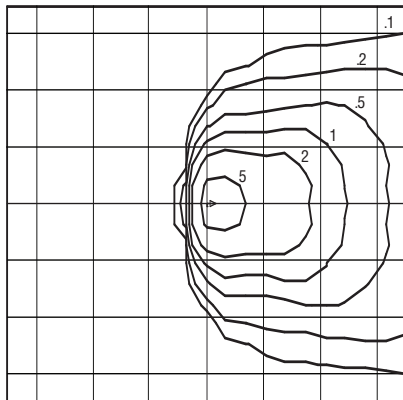


**IP65 Rated**  
UL Wet Location Listed  
Suitable for ground mounting

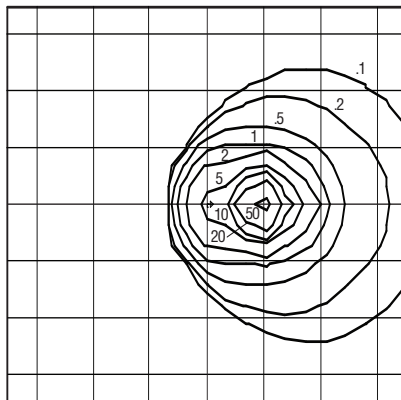
# 1-18

# GP Flood Series Floodlighting GP1 Mini

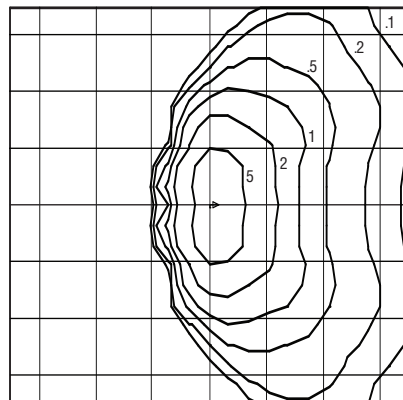
## PHOTOMETRICS



**GP1**  
Asymmetric Optics  
70w Metal Halide  
Mounting Height: 10 ft. - Tilt: 30°  
Lumens: 6200  
NEMA: 6H x 6V



**GP1**  
Spot Optics  
70w Metal Halide  
Mounting Height: 10 ft. - Tilt: 45°  
Lumens: 6200  
NEMA: 4H x 3V



**GP1**  
General Purpose Optics  
70w Metal Halide  
Mounting Height: 10 ft. - Tilt: 30°  
Lumens: 6200  
NEMA: 7H x 6V

### Conversion Data

Mounting Height		Wattage	
8	1.56	20	0.27
10	1	39	0.55
12	0.69	70	1