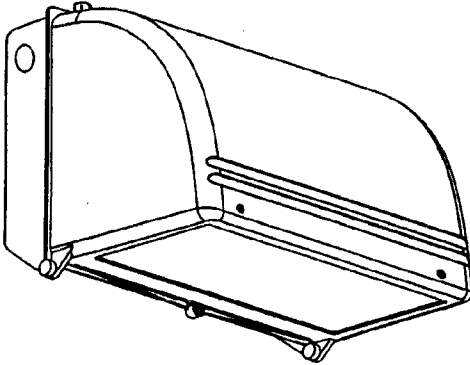


**READ INSTRUCTIONS CAREFULLY BEFORE ATTEMPTING TO INSTALL FIXTURE.
RETAIN INSTRUCTIONS FOR FUTURE REFERENCE.**



DESCRIPTION

This luminaire is designed for outdoor lighting and should not be used in areas with limited ventilation or within enclosures with high ambient temperatures.

NOT INTENDED FOR USE IN CAR WASHES OR OTHER AREAS THAT MAY ENTRAP HEAT.

GENERAL SAFETY INFORMATION

WARNING: DO NOT HANDLE AN ENERGIZED FIXTURE OR ENERGIZE ANY FIXTURE WITH WET HANDS OR WHEN STANDING ON A WET OR DAMP SURFACE OR IN WATER.

External metal parts of fixture develop high operating temperatures. To avoid possible pain or injury, do not touch external parts fixture when it is in operation. Turn off power and allow fixture to cool before touching for any reason.

1. This fixture must be properly fused and wired in accordance with all electrical and safety codes and ordinances, as well as the most recent National Electric Code (NEC).
2. This fixture must be adequately grounded for your protection against shock hazards and to assure proper operation.
3. All wiring should be performed by a qualified electrician.
4. Make certain that the power source conforms to the requirements of this fixture.
5. Disconnect power before installing or servicing. If the power disconnect switch is out of sight, lock it in the open position and tag it to prevent unexpected application of power.
6. This fixture is intended to be used for general lighting in a normal open-air ambient. Do not install in closed-ceiling, dead air, sheltered, buried or boxed-in locations. It is not intended to be used in potentially dangerous locations such as flammable or explosive atmospheres.
7. Failure to follow the above safety instructions could result in fatal shock or fire hazards.

INSTALLATION

WARNING: MAKE SURE THAT ALL POWER IS TURNED OFF WHILE INSTALLING UNIT. DO NOT TURN POWER ON UNTIL FIXTURE IS COMPLETELY INSTALLED. TURN POWER OFF AT CIRCUIT BREAKER BOX.

Refer to back of this sheet.

OPERATION

Switch unit "on" using light switch or circuit breaker controlling unit. If lamp does not light see troubleshooting chart.

MAINTENANCE

Periodically check and remove any accumulated dirt from lens and around fixture

TROUBLE SHOOTING

SYMPTOM	POSSIBLE CAUSE(S)	CORRECTIVE ACTION
Lamp does not light	1. No power to unit	1. Check circuit protection device (circuit breaker, fuse or switch)
	2. Loose lamp connection	2. Remove lamp, clean contacts and tighten in socket
	3. Burned out lamp or ballast	3. Replace
	4. Loose wiring	4. Recheck wiring connections

With Power OFF !

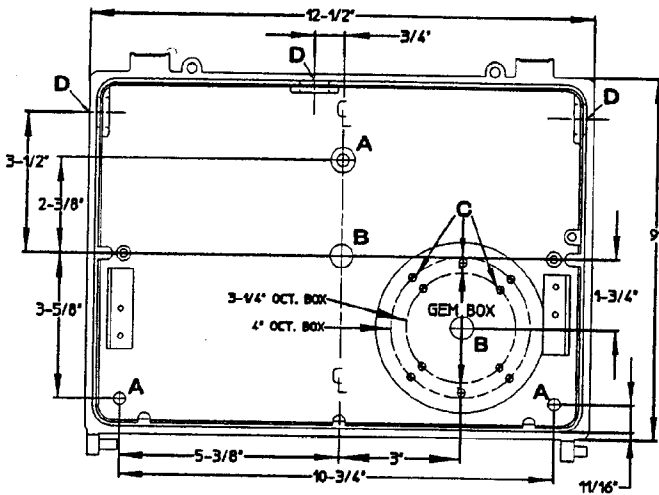
LIMITED ONE YEAR WARRANTY

Fixtures are guaranteed against mechanical and electrical defects for a period of one year from date of delivery. Replacement or repair of authorized returns found to be mechanically or electrically defective within the guarantee period constitutes fulfillment of all obligations under this warranty. We assume no responsibility for the improper installation of our products, or for labor costs involved in repair or replacement. Ballasts and lamps are covered by manufacturer's trade warranties.

INSTALLATION

NytePro™/600 series Luminaires are designed to be mounted to any surface. The inside surface of the NytePro™/600 series backplate has a cast-in drill and knock-out template to match virtually any standard recessed junction box, as well as knockouts for three 5/16" mounting holes (A). Three 1/2" NPS tapped holes (D) are also available for surface conduit, photocontrol, etc. (see drawing).

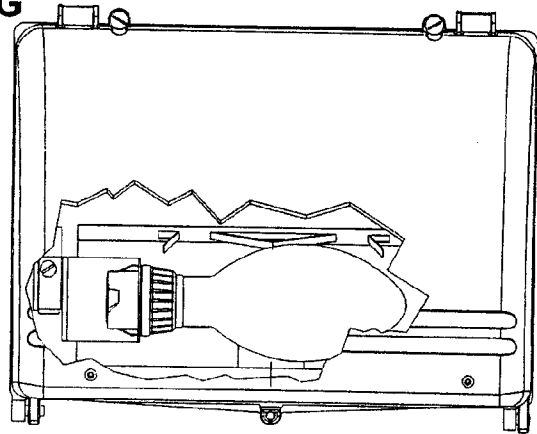
- A - 5/16" dia. knockouts
- B - 9/16" dia knockouts
- C - Knockouts for #10 screw clearance
- D - 1/2" NPS tapped holes



MOUNTING

1. Remove the reflector.
2. Prepare the back plate for mounting by drilling or knocking out the appropriate holes.
3. Line up the back plate in the desired location and mount securely.
4. Complete the wiring to the power source and ground (see wiring instructions)
5. Reassemble the reflector, install lamp and mount lensframe assembly.

NOTE: To weatherproof your outdoor installation, be sure to seal all holes in fixture housing (mounting, conduit, plugs, photocontrols, etc) with Duxseal™ or equivalent sealer.



WIRING

Units built for a specific voltage are completely factory wired. Double check your power source to make sure the supply voltage is compatible with the unit. Multi-tap (MT) units may be used with a choice of 120v, 208v, 240v or 277v, provided that proper transformer leads are connected in the field. For example if your supply voltage is 208v, connect the "HOT" supply wire to 208v ballast tap and the "COMMON" supply wire to the transformer "COMMON" wire. Make sure all of the unused leads are properly capped.

IMPORTANT NOTE: Factory wiring of individual units may vary, depending on specific ballast used. When replacing a ballast, follow the ballast manufacturer's diagram attached to the transformer.

