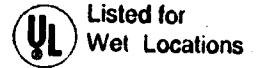




Installation Instructions for Vertical Lamp Luminaire



Read instructions carefully before attempting to install fixture.
Retain instructions for future reference.

General Safety Information

WARNING: Do not handle an energized fixture or energize any fixture with wet hands or when standing on a wet or damp surface, or in water.

External metal parts of fixture develop high operating temperatures. To avoid possible pain or injury, do not touch external parts of fixture when it is in operation. Turn off power and allow fixture to cool before touching for any reason.

1. This fixture must be properly fused and wired in accordance with all electrical and safety codes and ordinances, as well as the most recent National Electric Code (NEC).
2. This fixture must be adequately grounded for your protection against shock hazards and to assure proper operation.
3. All wiring should be performed by a qualified electrician.
4. Make certain that the power source conforms to the requirements of this fixture.
5. Disconnect power before installing or servicing. If the power disconnect switch is out of sight, lock it in the open position and tag it to prevent unexpected application of power.
6. This fixture is intended to be used for general lighting in a normal open-air ambient. Do not install in dead air, sheltered, buried or boxed-in locations. It is not intended to be used in potentially dangerous locations such as flammable or explosive atmospheres.
7. Failure to follow above safety instructions could result in fatal shock or fire hazards.

INSTALLATION

WARNING: Make sure that all power is turned off while installing unit. Do not turn power on until fixture is completely installed. Turn power off at circuit breaker box.

Refer to appropriate Section.

Operation

Switch unit "on" using circuit breaker controlling unit.

Maintenance

Periodically check and remove any accumulated dirt from the lens and around fixture.

| Symptoms | Possible Cause(s) | Corrective Action |
|---------------------|--------------------------|---|
| Lamp does not light | 1. No power to unit. | 1. Check circuit protection device (circuit breaker, fuse or switch.) |
| | 2. Loose lamp connection | 2. Remove lamp, clean contacts and tighten in socket. |
| | 3. Burned out lamp | 3. Replace |
| | 4. Loose wiring | 4. Recheck wiring connections. |

with power off

LIMITED ONE YEAR WARRANTY

Fixtures are guaranteed against mechanical and electrical defects for a period of one year from date of delivery. Replacement or repair of authorized returns found to be mechanically or electrically defective within the guarantee period constitutes fulfillment of all obligations under this warranty. We assume no responsibility for the improper installation of our products, or for labor costs involved in repair or replacement. Ballasts and lamps are covered by manufacturers' trade warranties.

Installation Instructions for Vertical Lamp Luminaire

WIRING CONNECTIONS

WARNING: Disconnect power before installation or servicing. Risk of electrical shock. Make certain supply wiring is not "hot" before wiring. Be sure supply voltage corresponds to ballast's primary voltage. Fixture may be equipped with a multi-tap ballast; make certain all unused leads are closed. High temperature inside fixture.

FIXTURE PREPARATION

1. Remove fixture from packaging, taking care to protect lens and fixture finish.
2. Remove top cover by loosening two (2) screws on pole side of cover.
3. Lift cover slightly and slide forward to disengage from front guide pins. (Figure 1)

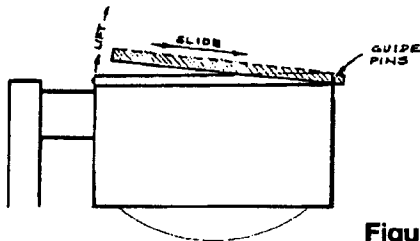


Figure 1

WIRING CONNECTIONS

1. Install fiberglass sleeving (provided) over each incoming supply lead. Leads may need to be cut to the same length as sleeving. Entire length of supply leads must be covered.
2. Be sure to install wire clamp (provided) on sleeved supply wires near wire entrance. (See Figure 3)
3. Connect wiring according to local and national electrical codes.
4. After connections are made, incoming supply leads must be held away from hot surfaces of ballast and reflector using wire tie provided. (See Figure 3)

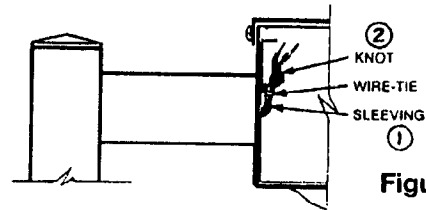


Figure 3

ASSEMBLY OF ARM AND FIXTURE TO POLE

Attach arm and fixture to pole as shown. Arm ships in fixture carton.

1. Feed wire from pole through arm and into fixture.
2. With nut bar inside pole, thread rods into threaded holes.
3. Slide arm over rods. Place housing over protruding rods. (See Figure 2)
4. Secure in place with flat washers, lock washers and hex nuts. Be sure to assemble the large flat washer on bottom rod.
5. On top rod, with component tray in place, assemble reinforcing brace with lock washer and hex nut. See Figure 4 for details. Note: all nuts to be tightened to 41 Ft.-pounds.

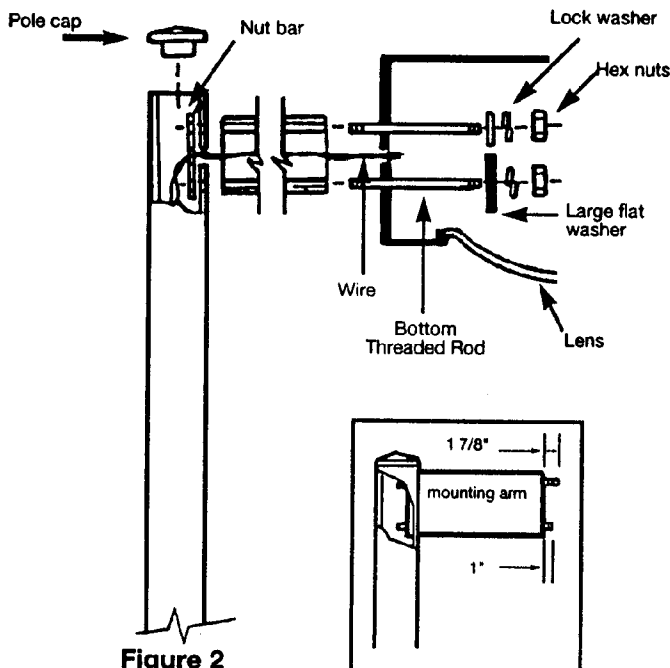


Figure 2

FIXTURE DISTRIBUTION

Before setting pole on anchor bolts, check to make sure pole and fixture are still positioned correctly for desired light distribution.

COMPLETING FIXTURE ASSEMBLY

1. Reflector is factory installed in housing for desired light distribution. All reflectors may be rotated 90° by removing corner nuts. Be sure to replace nuts to secure reflector in new position.
2. Install lamp by removing top reflector assembly. Loosen two (2) screws, rotate top reflector assembly and lift out. Locate lamp and install.
3. Check to make sure lamp type and wattage are the same as shown on fixture label.
4. Replace top reflector assembly and secure with two (2) screws.
5. Plug socket lead wires into quick disconnect receptacle from component tray.
6. Replace top cover. Hook clearance holes in cover over guide posts on housing. Pull back and tip down, engaging guide pins. Allow arm side of cover to drop over screws. Secure in place by tightening screws while applying downward pressure on cover.
7. The fixture and pole assembly are now ready for installation to anchor bolts. When erecting, do not lift by fixture arm.

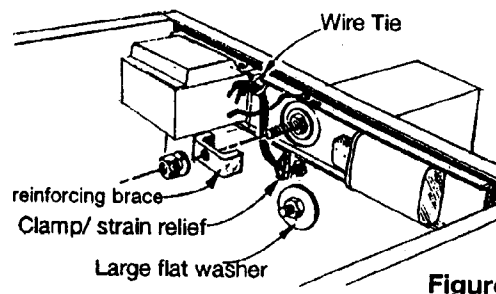


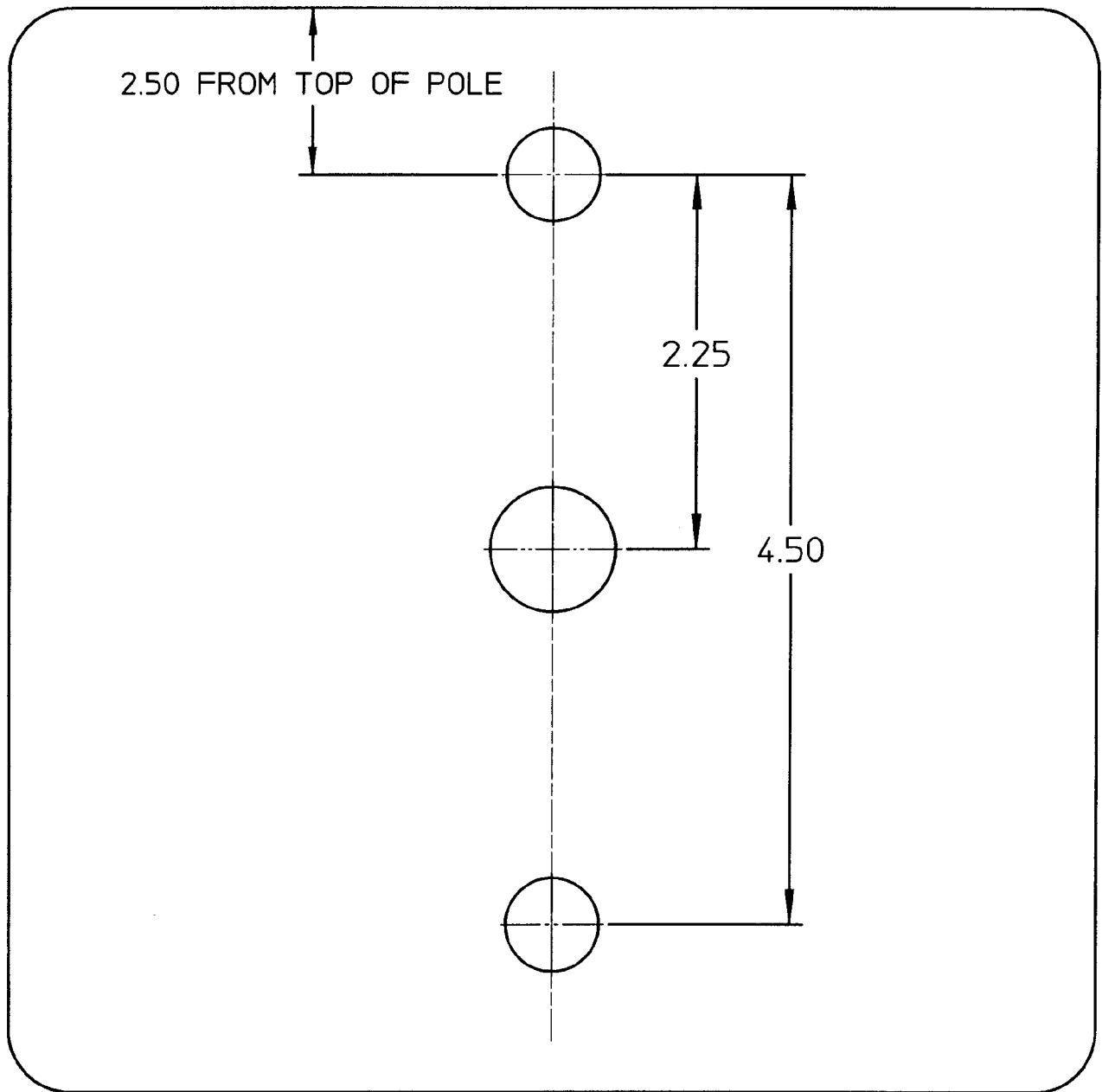
Figure 4

GENLYTE-THOMAS

VERTICAL AREA LAMP LUMINAIRE

MOUNTING TEMPLATE

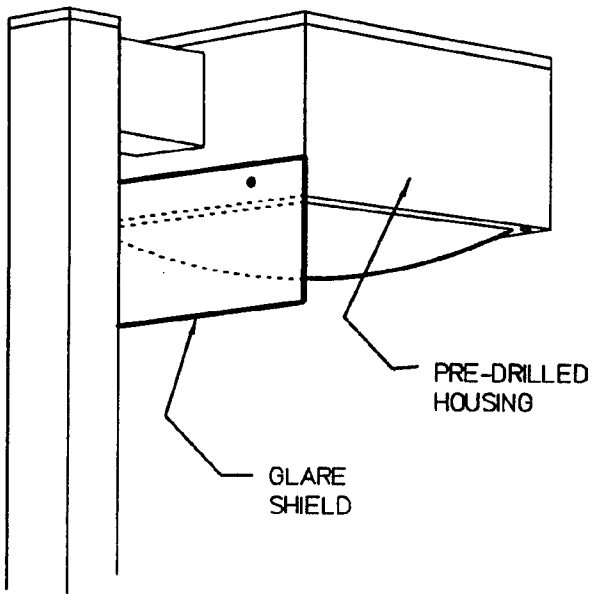
The drill template below shows the layout of holes in the fixture arm for pole mounting.



VERTICAL LAMP AREA LUMINAIRE

GLARE SHIELD

INSTALLATION INSTRUCTIONS



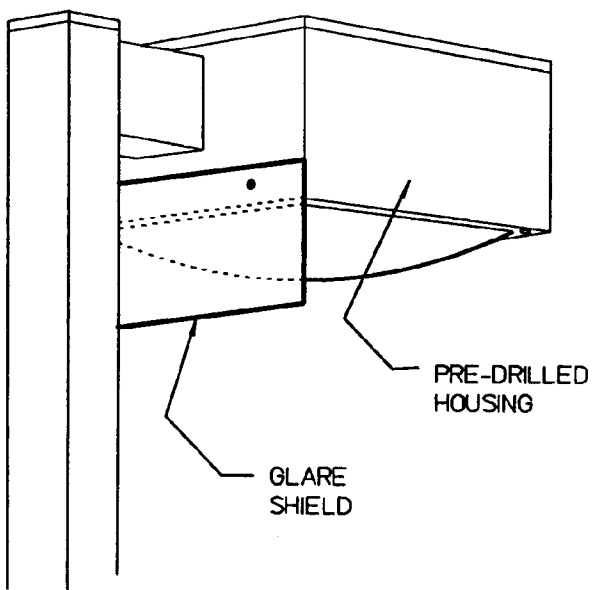
- 1) PEEL PAPER FROM SEALANT STRIPS COVERING HOLES IN GLARE SHIELD. SEALANT STRIP IS TO BE POSITIONED BETWEEN THE GLARE SHIELD AND HOUSING TO PREVENT LEAKAGE.
- 2) PUSH SCREWS THRU GLARE SHIELD PIERCING SEALANT STRIP, ALIGN GLARE SHIELD SCREWS WITH PRE-DRILLED HOLES IN HOUSING AND TIGHTEN SECURELY.

UN-59-01796-000
ME#59206800

VERTICAL LAMP AREA LUMINAIRE

GLARE SHIELD

INSTALLATION INSTRUCTIONS



- 1) PEEL PAPER FROM SEALANT STRIPS COVERING HOLES IN GLARE SHIELD. SEALANT STRIP IS TO BE POSITIONED BETWEEN THE GLARE SHIELD AND HOUSING TO PREVENT LEAKAGE.
- 2) PUSH SCREWS THRU GLARE SHIELD PIERCING SEALANT STRIP, ALIGN GLARE SHIELD SCREWS WITH PRE-DRILLED HOLES IN HOUSING AND TIGHTEN SECURELY.

UN-59-01796-000
ME#59206800