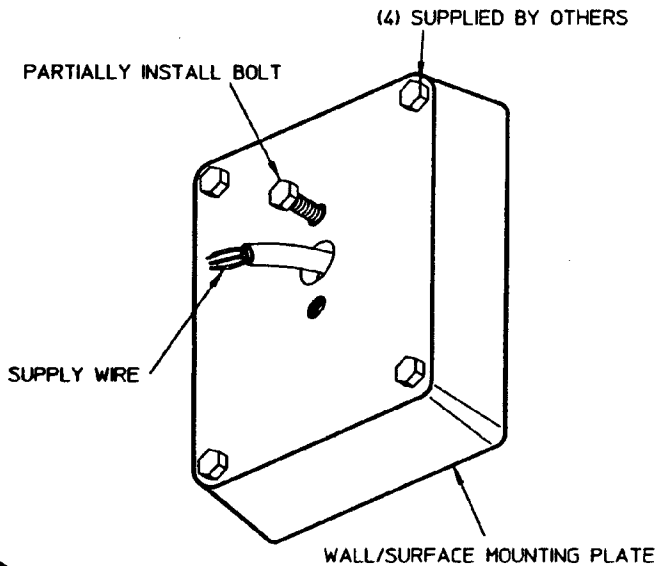


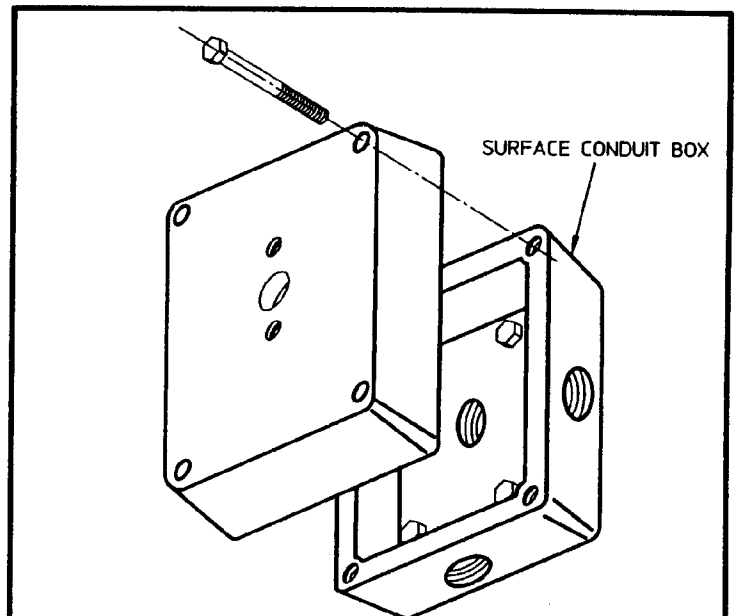
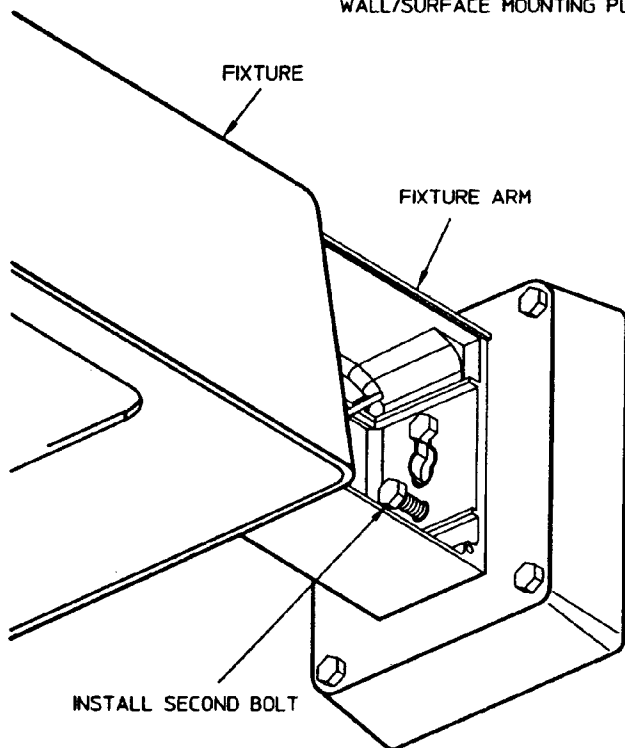
GENLYTE/THOMAS ROADWAY SERIES WALL/SURFACE MOUNTING PLATE AND SURFACE CONDUIT BOX INSTALLATION INSTRUCTIONS

TO INSTALL WALL/SURFACE MOUNTING PLATE

- 1) MOUNT PLATE TO WALL USING (4) BOLTS (SUPPLIED BY OTHERS). PULL SUPPLY WIRE THRU CENTER HOLE AS SHOWN.
- 2) PARTIALLY INSTALL ONE 1-1/4" LONG 3/8-16 BOLT (SUPPLIED WITH ROADWAY FIXTURE) IN UPPER THREADED HOLE OF MOUNTING PLATE AS SHOWN.
- 3) REMOVE FIXTURE FROM CARTON. SLIP KEY HOLE OPENING OF FIXTURE ARM OVER PARTIALLY INSTALLED BOLT.

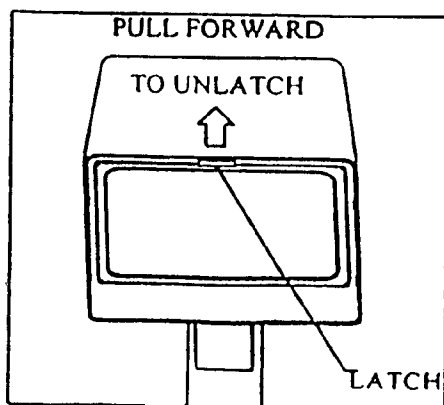
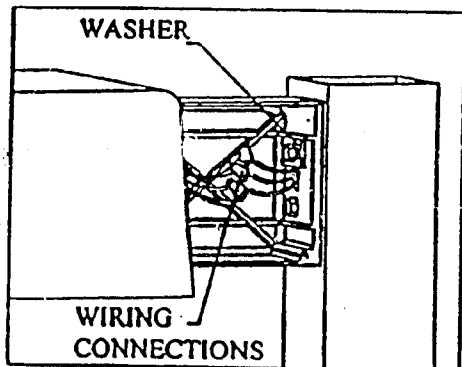
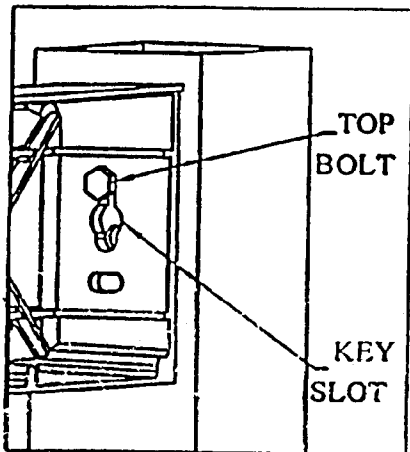
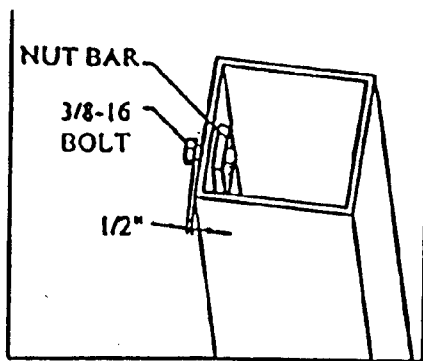


- 4) TIGHTEN TOP BOLT TO DRAW FIXTURE AGAINST PLATE.
- 5) INSTALL SECOND 3/8-16 BOLT IN THE BOTTOM HOLE OF ARM AND TIGHTEN.
- 6) TIGHTEN BOLTS TO 19FT-LB (228IN-LB) OF TORQUE.
- 7) FEED SUPPLY WIRES INTO ARM WIRING CHAMBER.
- 8) MAKE CONNECTIONS TO BALLAST SUPPLY LEADS ACCORDING TO LOCAL AND NATIONAL ELECTRICAL CODES.
- 9) INSTALL ARM COVER TO ENCLOSE WIRING COMPARTMENT.



TO INSTALL SURFACE CONDUIT BOX

- 10) MOUNT BOTTOM HALF OF BOX TO SURFACE USING (4) BOLTS (SUPPLIED BY OTHERS).
- 11) PULL SUPPLY WIRE THROUGH ONE OF THE THREADED HOLES.
- 12) MOUNT TOP HALF OF BOX TO BOTTOM OF BOX USING (4) 2-3/4" LONG 5/16-18 BOLTS (SUPPLIED). FEED WIRE THROUGH CENTER HOLE OF TOP PLATE.
- 13) CONTINUE INSTALLATION PROCEDURES 2 THROUGH 9.
- 14) SEAL ANY UNUSED CONDUIT OPENINGS WITH 3/4 PLUGS (SUPPLIED).



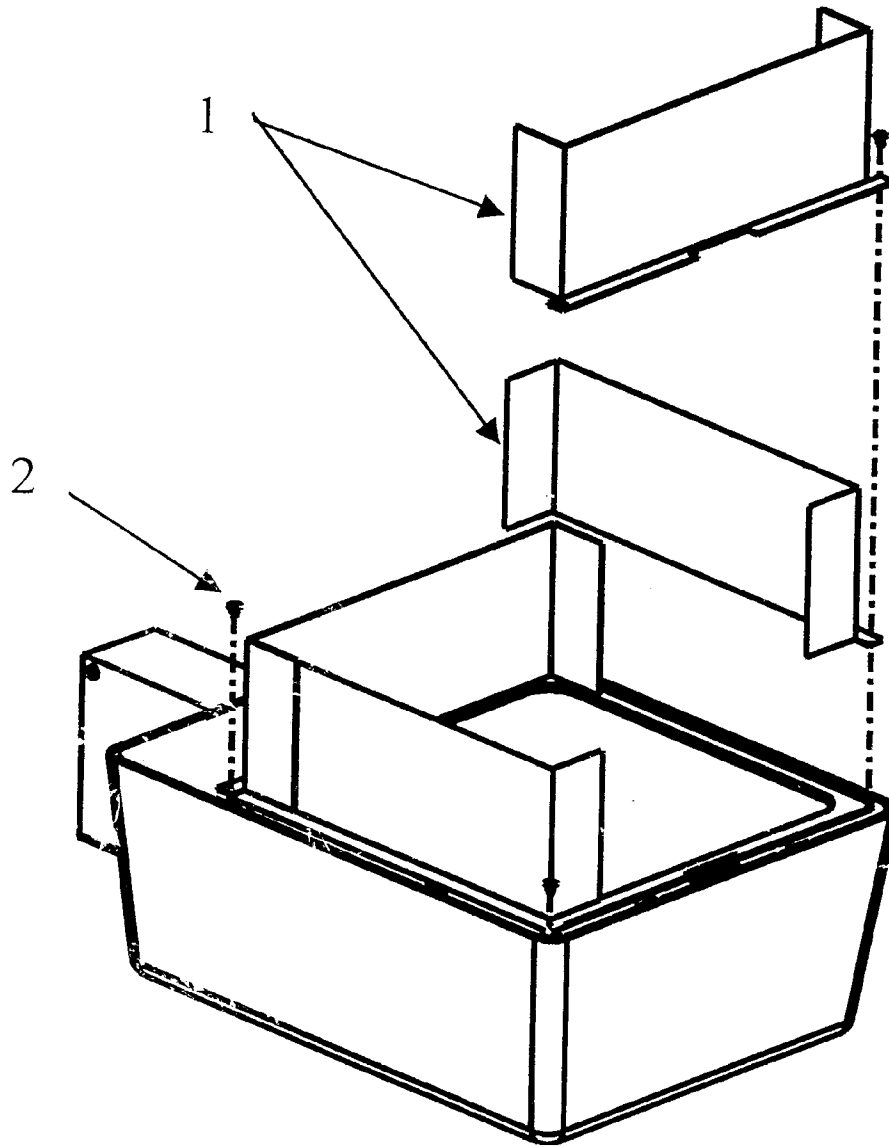
Mounting Procedure

1. Remove backing from adhesive on nut bar and insert into top of pole.
2. Press nut bar firmly against inside of pole aligning holes in the nut bar with the holes in the pole.
3. Thread one 3/8-16 bolt into the top hole in the nut bar leaving 1/2" of thread showing.
4. Hang fixture on bolt using the key hole provided in the end of the arm.
5. Insert washer between the bolt head and the inside of the arm.
6. Tighten top bolt to draw fixture against pole.
7. Install the second 3/8-16 bolt in the bottom hole in the arm and tighten.
8. Fixture can be adjusted 5" from vertical to allow for misaligned holes drilled in the pole.
9. Tighten bolts to 19 ft-lb (228 in-lb) of torque.
10. Feed supply wires into arm wiring chamber.
11. Make connections to ballast supply leads according to local and national electrical codes.
12. Install cover on arm to enclose wiring compartment.

Re-lamping Procedure

1. Release lens frame by pulling the front latch forward. (Away from the pole).
2. Swing lens frame down.
3. Replace Lamp
4. Close lens frame by swinging back into position and sliding toward pole. Lens will slide in tracks in lens frame hinge.
5. Push Firmly on lens frame until latch engages.

MCLGS – GLARE SHIELD INSTALLATION INSTRUCTIONS

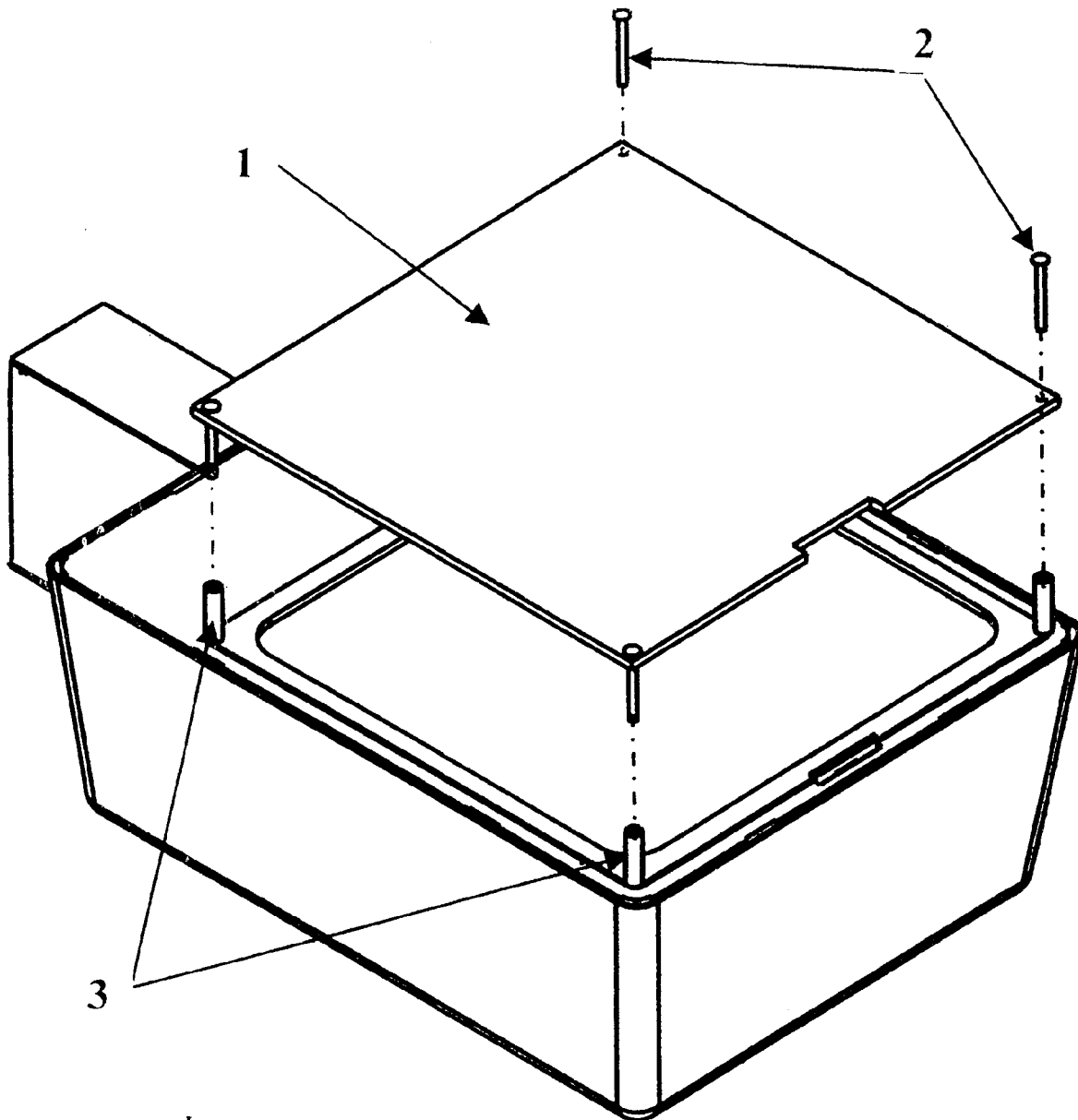


<u>Item</u>	<u>Description</u>	<u>Quantity</u>
1	Glare Shield	4
2	#8 Thread Cutting Screw	4

Install 1 To 4 Sections Of Glare Shield As Required

Align Holes In Glare Shield With Holes In Lens Frame And Install Screws

MCLVS – VANDAL SHIELD INSTALLATION INSTRUCTIONS



Item	Description	Quantity
1	Vandal Shield	1
2	#8 Thread Cutting Screw	4
3	Spacer	4

Install Screws Through Shield And Spacers.
Align With Holes In Lens Frame And Tighten.