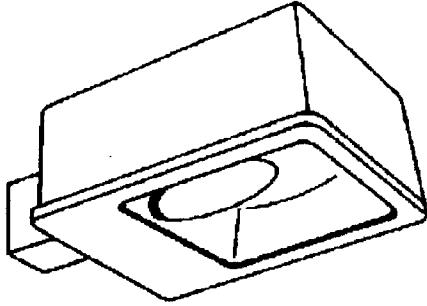


# Genlyte Thomas

## 1000 Watt Roadway Luminaire Installation Instructions

Read instructions carefully before attempting to install fixture. Retain instructions for future reference.



### DESCRIPTION

Roadway luminaires are intended for outdoor applications in normal, open-air ambient. Housing is constructed of die-cast aluminum finished in bronze polyester powder.

### General Safety Information

**Warning: Do not handle an energized fixture with wet hands or when standing on a wet or damp surface, or in water.**

External metal parts of fixture develop high operating temperatures. To avoid possible pain or injury, do not touch external parts of fixture when in operation. Turn off power and allow fixture to cool before touching for any reason.

1. The fixture must be properly fused and wired in accordance with all electrical and safety codes and ordinances, as well as the most recent National Electric Code (NEC).
2. This fixture must be adequately grounded for your protection against shock hazards and to assure proper operation.
3. All wiring should be performed by a qualified electrician.
4. Make certain that the power source conforms to the requirements of this fixture.
5. Disconnect power before installing or servicing. If the power disconnect switch is out-of-sight, lock it in the open position and tag it to prevent unexpected application of power.
6. This fixture is intended to be used for general lighting in a normal open-air ambient. Do not install in dead air, sheltered, buried or boxed-in locations. It is not intended to be

used in potentially dangerous locations such as flammable or explosive atmospheres.

7. Failure to follow above safety instructions could result in fatal shock or fire hazards.

### INSTALLATION

**Warning: Make sure that all power is turned off while installing unit, do not turn power on until fixture is completely installed. Turn power off at circuit breaker box.**

Refer to appropriate section.

### Operation

Switch unit "on" using circuit breaker controlling unit.

### Maintenance

Periodically check and remove any accumulated dirt from the lens and around the fixture.

<u>Symptoms</u>	<u>Possible Cause</u>	<u>Corrective Action</u>
Lamp does not light.	1. No power to unit.	1. Check circuit protection device, (circuit breaker, fuse or switch).
	2. Loose lamp connection	2. Remove lamp, clean contacts and tighten in socket.
	3. Burned out lamp.	3. Replace
	4. Loose wiring	4. Check wiring connections.

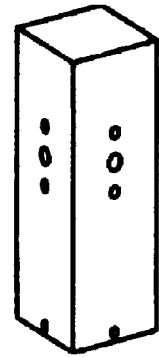
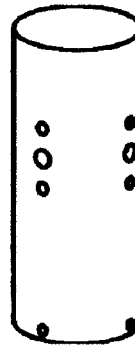
### LIMITED ONE YEAR WARRANTY

Fixtures are guaranteed against mechanical and electrical defects for a period of one year from date of delivery. Replacement or repair of authorized returns found to be mechanically or electrically defective within the guarantee period constitutes fulfillment of all obligations under this warranty. We assume no responsibility for the improper installation of our products, or for labor costs involved in repair or replacement. Ballasts and lamps are covered by manufacturers trade warranties.

## General

This luminaire is available to three basic types of mounting:

1. Side mounting to 5" or 6" straight square poles or straight square tenons (see fig. A).
2. Side mounting to round poles with 4" OD top or round 4" OD tenons (requires mounting adapter accessory)(see fig. B). Attach adapter to fixture using 1-1/4" bolts and lockwashers provided with adapter kit. Tighten bolts to 30 ft. lbs.
3. Wall mount to a building via wall plate adapter.



## Installation

Once the mounting method has been determined, mount the luminaire to the pole by using bolts and lockwashers provided. Tighten bolts to 30 ft. lbs.

## Wiring

For access to fixture wiring, loosen ballast cover plate screws and let door swing down on safety cable.

Pull supply wires into wiring compartment. Provide strain relief for supply wires either in the pole or by wrapping around bar provided in the wiring compartment (see fig. C).

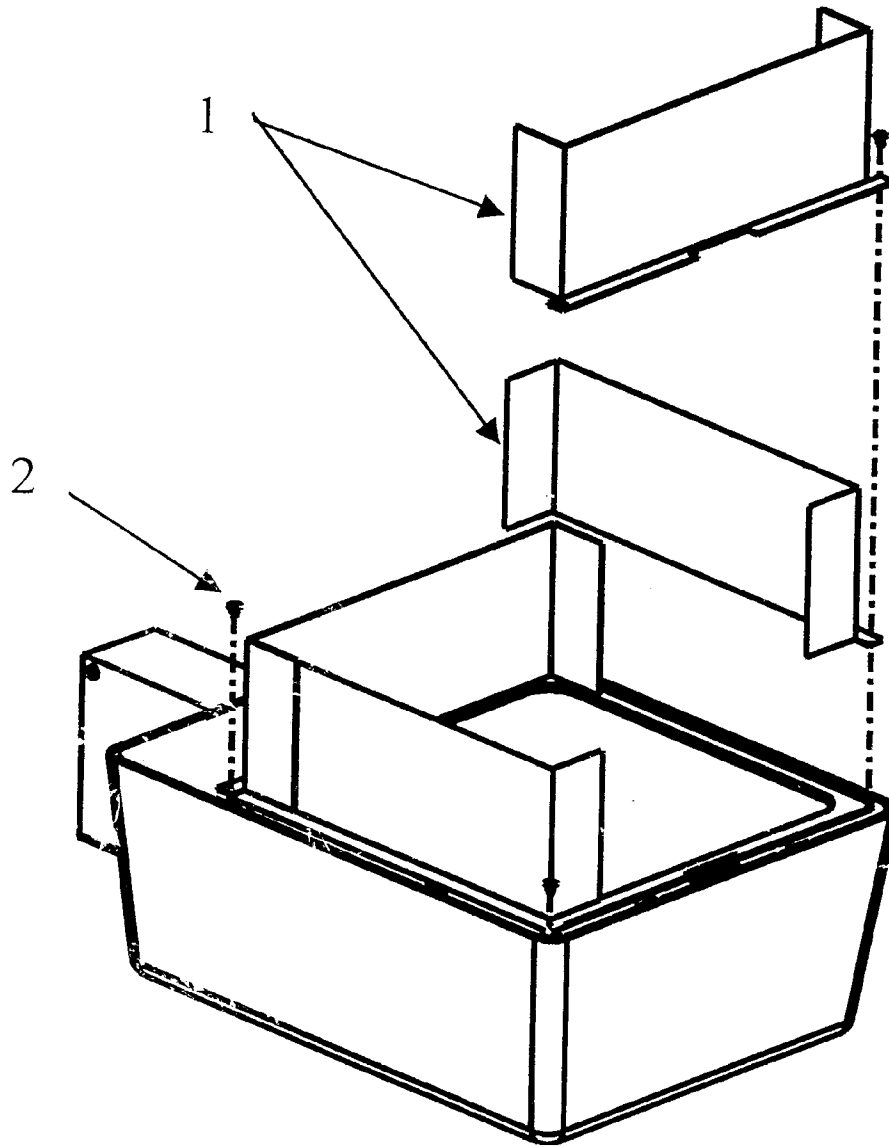
Select the appropriate fixture voltage lead (see fig. D) and the common lead. Cut wire to remove protective cap from selected voltage lead only (the common lead has no cap). *Caution: If ballast is a quad voltage ballast, DO NOT REMOVE CAPS FROM LEADS NOT BEING USED.*

Connect the "common" service lead to the "common" fixture lead. Connect the "hot" service lead to the selected voltage lead.

*Caution: Improper wire connection will result in a ballast failure.*

These instructions do not purport to cover all details or variations in equipment, not to provide for every possible contingency related to installation, operation, maintenance, or mounting attitude. Should specific problems occur that are not covered sufficiently for the purchaser's purpose, contact Genlyte for additional product or application information. Improper installation and/or utilization may void manufacturer's warranty.

# MCLGS – GLARE SHIELD INSTALLATION INSTRUCTIONS

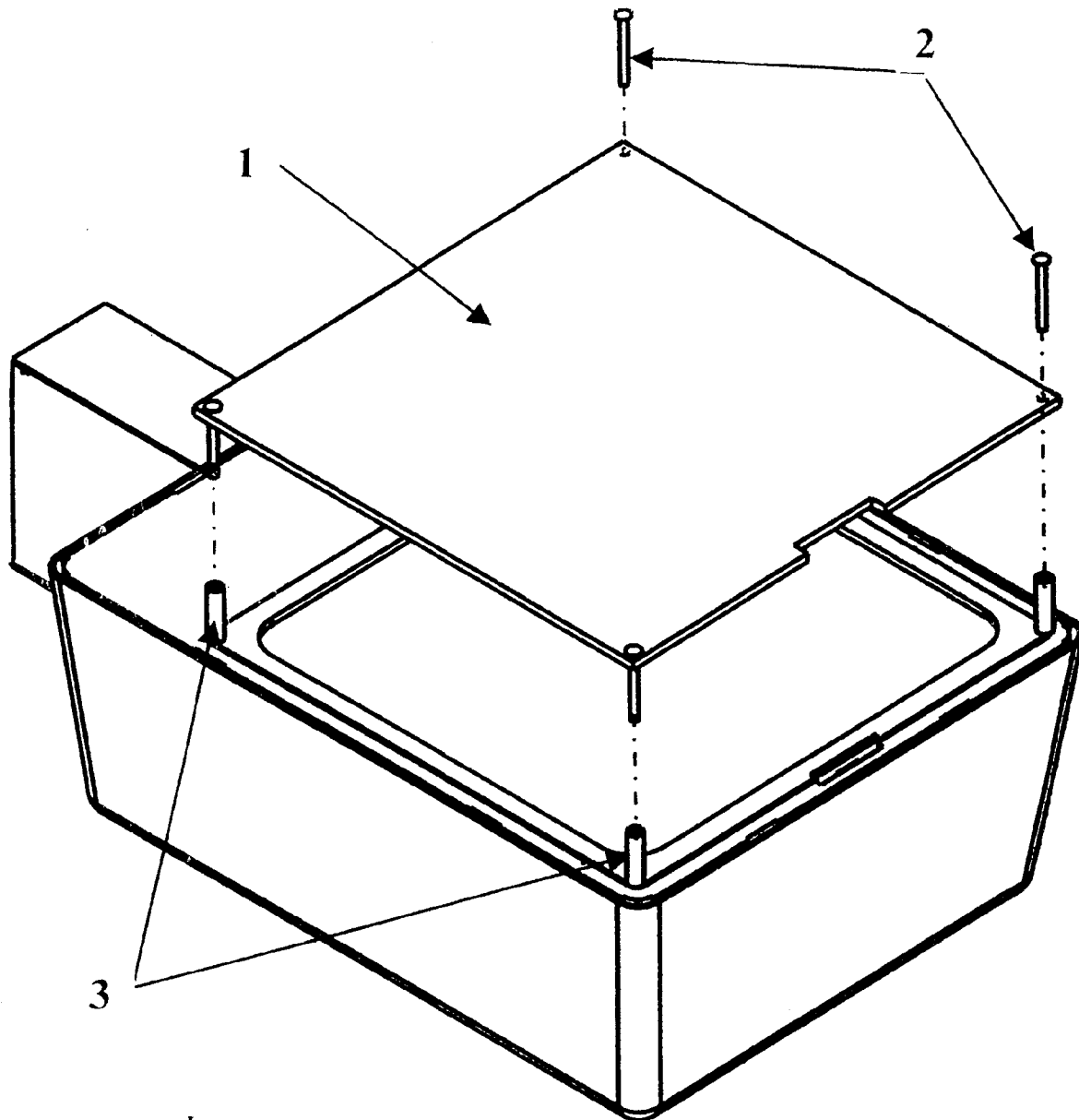


<u>Item</u>	<u>Description</u>	<u>Quantity</u>
1	Glare Shield	4
2	#8 Thread Cutting Screw	4

Install 1 To 4 Sections Of Glare Shield As Required

Align Holes In Glare Shield With Holes In Lens Frame And Install Screws

# MCLVS – VANDAL SHIELD INSTALLATION INSTRUCTIONS



Item	Description	Quantity
1	Vandal Shield	1
2	#8 Thread Cutting Screw	4
3	Spacer	4

Install Screws Through Shield And Spacers.  
Align With Holes In Lens Frame And Tighten.